

# KOMATSU®

**WB140-2N WB140PS-2N**  
**WB150-2N WB150PS-2N**  
**WB150AWS-2N**

**NET HORSEPOWER**  
WB140 65.1 kW **87 HP** @ 2200 rpm  
WB150 70.1 kW **94 HP** @ 2200 rpm

**OPERATING WEIGHT**  
7525 - 8950 kg  
**16,600 - 19,731 lb**

*Utility*

**WB**  
**140**  
**150**



**BACKHOE LOADERS**

## **WALK-AROUND**

***Komatsu backhoe loaders*** bring together the versatility of a backhoe loader with the performance of an excavator. Komatsu's exclusive HydraMind™ hydraulic system is the ultimate combination of power and precision creating one of the most productive backhoe loaders in the world.

***Increased hydraulic speed***

during loader and backhoe operations for increased productivity

***Improved*** operator-friendly accelerator and parking brake lever design

***New loader bucket design***

for better penetration into the pile and easier loading of material

***1.0 m<sup>3</sup> 1.3 yd<sup>3</sup> multi-purpose loader bucket***

offers increased capacity (1.04 m<sup>3</sup> 1.36 yd<sup>3</sup> bucket available for WB150AWS)

***High altitude/high ambient***

temperature package available as an option

***Komatsu's new Tier 2 engine***

provides for low emissions and excellent fuel economy

***Steel reinforced front grille***

and tiltable plastic hood for durability and ease of service

***Improved brake performance*** with new 4-wheel braking feature (4th gear only)

***Lateral engine air intake***

for improved visibility to bucket during loader operation



**Newberry Manufacturing Operation**

We constantly strive to bring new innovations to the market

**High visibility maintenance**

eyebrow panels with white backed gauges for improved visibility

**Improved air filtration system**

for longer service life

**Flexible fenders**

are impact and crack resistant

**Two Backhoe Function Modes**

- **Power** for increased power and speed
- **Economy** for fine control when excavating around in-ground utilities

**Excavator type Backhoe controls**

(optional)

**New backhoe buckets**

with K VX style teeth (optional)

**Newly designed**

boom transport lock for enhanced reliability



Photos may include optional equipment.

**Greaseless telescopic arm wear pads**

for reduced maintenance cost

Three lever with **foot swing control pattern**

(optional)

**NET HORSEPOWER**

WB140 65.1 kW **87 HP** @ 2200 rpm

WB150 70.1 kW **94 HP** @ 2200 rpm

**OPERATING WEIGHT**

7525 - 8950 kg

16,600 - 19,731 lb

## OPERATOR COMFORT

### Engineered For Maximum Operator Performance and Comfort

#### Improved 360° Visibility and More Leg Room

Cab interior design with excavator-type controls (optional)



#### New Gray Color Cab/ROPS

Less glare and reflection inside the cab, improved visibility, and safer operation



#### Excavator-Type Control Dash Panel



#### Function Mode Button (just like Komatsu excavators)

- Power mode for increased power and speed
- Economy mode for fine control when excavating around in-ground utilities
- Increased sensitivity during backhoe operations while maintaining maximum performance
- Increased fuel efficiency



#### ROPS Canopy Windshield with Wiper and Washer (optional) Protects operator during roading operation



#### Stabilizer Switches

Controlled by the operator in either the front or rear working positions



#### 12V Cell Phone Power Outlet



## Easier Control

### Excavator-Type Controls



### Servo-Controlled Joysticks for Backhoe Operation

- Excellent metering and fine control
- Telescopic arm is electro-hydraulically controlled
- Very low effort
- Ergonomic joysticks
- Control pattern change valve in cab, allows easy conversion from excavator to backhoe control patterns
- More legroom
- Better visibility of the entire boom area

### Two Tilttable Control Towers

- Tilt of 15° is easily adjusted to always provide the best visibility of the excavation area
- Wrist support (with adjustable height) for more comfort during operation
- Comfort: every operator can easily find the correct working position thanks to the mechanical memory lock



### Infinitely Adjustable Joysticks

Can move the joysticks to any position within a 15° range



### Shift-on-the-Fly Gear Selector (PS version only)

Just twist shifter up or down to change gear selection

- User-friendly design for ease of use
- Improved cycle times
- Less operator fatigue



## PRODUCTIVITY FEATURES

### High Productivity and Low Fuel Consumption

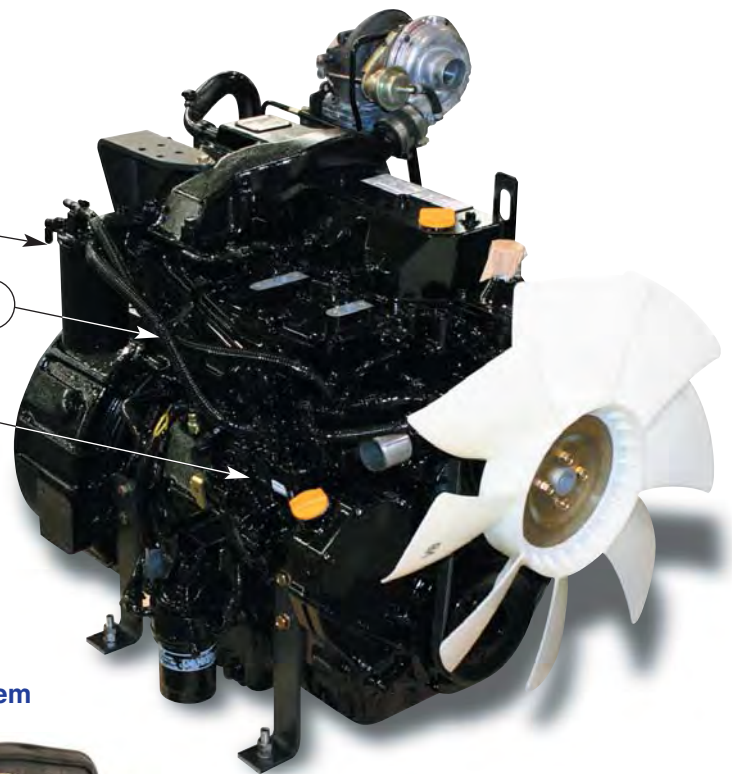
A powerful Komatsu S4D106-2XFH/2SFA Turbocharged water-cooled diesel engine provides output of 65.1 kW **87 HP** for the WB140-2N/WB140PS-2N, and output of 70.1 kW **94 HP** for the WB150-2N/ WB150PS-2N/ WB150AWS-2N. This engine is EPA Tier 2, EU and Japan emissions certified without sacrificing power or machine productivity. The large piston displacement of these engines, 4.4 ltr **269 in<sup>3</sup>**, ensures high torque and power, and above all exceptional reliability.

New fuel filter

Feed pump with electric control

New injection pump

New fuel hoses layout



#### Air Filter



Improved Air Filtration  
Donaldson Filter

#### Tremendous Hydraulic Power Under Your Complete Control With Proven HydraMind Excavator Technology

Komatsu's exclusive HydraMind hydraulic system is the ultimate combination of power and precision creating one of the most productive backhoe loaders in the world. The system consists of a single variable flow axial piston pump and an

#### Cooling System



Large Capacity Side-by-Side Radiator

"intelligent" hydraulic circuit that allows the machine to adapt instantaneously to the specific operation being carried out. Superior lift capacities and breakout forces are achieved with HydraMind.

#### Closed-Center Load Sensing System (CLSS)

The Closed-Center Load Sensing System, together with the variable flow

pump, means that only the amount of oil necessary for ensuring high operating pressure is generated and used. This guarantees greater efficiency, lower fuel consumption and quiet operation.

#### Load Independent Flow Divider (LIFD)

Another Komatsu innovation is the Load Independent Flow Divider hydraulic valve block. The speed of each movement is completely independent from that of the others, and the proportions between the various movements remain constant even when the load resistance varies, resulting in shorter cycle times and greater productivity. Engine power is transmitted hydraulically to a transfer case, then manually out to the differentials and out to the four driving wheels.

# INCREASED RELIABILITY AND SERVICEABILITY

## More Dependable

Komatsu backhoe loaders are the only machines that combine the versatility of a backhoe loader with the performance of an excavator.

### Steel Reinforced Front Grill

Protects radiator/oil cooler from external damage



### Flexible Fenders

Impact and crack resistant and maintain their shape



### Cab and Canopy Roof / Improved Lighting

New design provides more strength, durability, and better visibility with four lights, front and rear (optional).

Front View



Rear View



### Reinforced Structure



View from underneath

### Return-to-Dig Sensor

New design for enhanced durability



# WB140/150 BACKHOE LOADERS

## SPECIFICATIONS



### ENGINE

Model	<b>WB140-2N/WB140PS-2N</b> . . . . .	Komatsu S4D106-2XFH
	<b>WB150-2N/WB150PS-2N/WB150AWS-2N</b> . . . . .	Komatsu S4D106-2SFA
Type	. . . . . Vertical, 4-cycle water-cooled diesel engine	
Aspiration	. . . . . Turbocharged	
Combustion	. . . . . Direct injection	
Compression ratio	. . . . . 17:1	
Number of cylinders	. . . . . 4	
Cylinder, bore x stroke	. . . . . 106 x 125 mm <b>4.2" x 4.9"</b>	
Piston displacement	. . . . . 4.4 ltr <b>269 in<sup>3</sup></b>	
Horsepower rating - <b>WB140-2N/WB140PS-2N</b>		
Gross horsepower @ 2200 rpm	. . . . . 69.5 kW <b>93 Hp</b>	
Flywheel/net horsepower @ 2200 rpm (SAE J 1349)	. . . . . 65.1 kW <b>87 Hp</b>	
Max. torque @ 1400 rpm	. . . . . 348 Nm <b>257 ft lb</b>	
Horsepower rating - <b>WB150-2N/WB150PS-2N/ WB150AWS-2N</b>		
Gross horsepower @ 2200 rpm	. . . . . 74.5 kW <b>100 Hp</b>	
Flywheel/net horsepower @ 2200 rpm (SAE J 1349)	. . . . . 70.1 kW <b>94 Hp</b>	
Max. torque @ 1600 rpm	. . . . . 368 Nm <b>271 ft lb</b>	
Air cleaner	. . . . . dry, dual element with dust evacuator and indicator	



### ELECTRICAL SYSTEM

Electric circuit with protected connections in all exposed areas	
Voltage	. . . . . 12 V
Battery	. . . . . 120 Ah (860 cca)
Alternator	. . . . . 80 A
Electric starting	. . . . . 3 kW



### HYDRAULIC SYSTEM

The HydraMind hydraulic system affords the operator very precise backhoe movements. This system is energy efficient and incorporates two different working modes: economy and constant power. The advanced hydraulic system includes the "speed up" function to increase the working speed of the front loader.

System	. . . . . HydraMind	
Type	. . . . . Closed center Load Sensing System (CLSS) with economy/power selector switch (power mode is the default setting)	
Pump type	. . . . . Variable displacement axial piston	
Pump control system	. . . . . Load Sensing set to adjust the hydraulic power	
Main Valve	. . . . . "Load Independent Flow Divider" LIFD modular type	
Max delivery	. . . . . 165 ltr/min <b>43.6 gal/min</b>	
Work pressure		
<b>WB140-2N/WB140PS-2N</b>	. . . . . 207 bar <b>3,000 psi</b>	
<b>WB150-2N/WB150PS-2N/ WB150AWS-2N</b>	. . . . . 221 bar <b>3,200 psi</b>	



### REFILL CAPACITIES

Engine oil	. . . . . 7.9 ltr <b>2.1US gal</b>
Cooling system	. . . . . 14 ltr <b>3.7 US gal</b>
Diesel tank	. . . . . 130 ltr <b>34.3 US gal</b>
Hydraulic oil tank	. . . . . 92 ltr <b>24.3 US gal</b>
Front axle oil	. . . . . 8.5 ltr <b>2.3 US gal</b>
Rear axle oil	. . . . . 17.5 ltr <b>4.6 US gal</b>
Gear box oil	. . . . . 17 ltr <b>4.5 US gal</b>



### STEERING

#### WB140-2N/WB140PS-2N/WB150-2N/WB150PS-2N

The front wheels are controlled by a hydrostatic load sensing steering priority valve system

Turning radius at outer edge of front tire:

Without Brakes	. . . . . 4300 mm <b>14'1"</b>
With Brakes	. . . . . 3400 mm <b>11'2"</b>

#### WB150AWS-2N

The new Komatsu steering system ensures excellent maneuverability and versatility and allows the operator to choose from the following three different steering modes by the push of a button: **Two Wheel Steering, Four Wheel Coordinated Steering, Crab Steering**

Turning radius (4 wheel coordinated steering mode, w/o individual braking):	
Edge of tire	. . . . . 4175 mm <b>13'8"</b>
Edge of bucket	. . . . . 4700 mm <b>15'5"</b>



### AXLES

#### WB140-2N/WB140PS-2N/WB150-2N/WB150PS-2N

Heavy duty axles with planetary reduction gears in the wheel hubs. Front axle total oscillation angle is 20°. Differential lock in the rear axle controlled by electro-hydraulic system with a switch on loader lever.

Max front strength (Dynamic)	. . . . . 6300 daN <b>14,175 lb</b>
Max front strength (Static)	. . . . . 15750 daN <b>35,406 lb</b>
Max rear strength (Dynamic)	. . . . . 12000 daN <b>27,000 lb</b>
Max rear strength (Static)	. . . . . 32500 daN <b>73,060 lb</b>

#### WB150AWS-2N

Axles are limited slip, allowing for power traction, even while turning. Front axle total oscillation angle is 16°.

Max front strength (Dynamic)	. . . . . 10000 daN <b>22,480 lb</b>
Max front strength (Static)	. . . . . 25000 daN <b>56,200 lb</b>
Max rear strength (Dynamic)	. . . . . 10000 daN <b>22,480 lb</b>
Max rear strength (Static)	. . . . . 25000 daN <b>56,200 lb</b>





**TRANSMISSION**

**WB140-2N/WB150-2N**

Switching between 2WD and 4WD is achieved through an electro-hydraulic system. The transmission is operated through a torque converter and a power shift reversing shuttle; the mechanical 4-speed gearbox is synchronized.

Travel Speeds	1st		2nd		3rd		4th	
	km/h	mph	km/h	mph	km/h	mph	km/h	mph
Forward	6.3	<b>3.9</b>	11.4	<b>7.1</b>	21.3	<b>13.2</b>	37.8	<b>23.5</b>
Reverse	6.3	<b>3.9</b>	11.4	<b>7.1</b>	21.3	<b>13.2</b>	37.8	<b>23.5</b>

**WB140PS-2N/WB150PS-2N/WB150AWS-2N**

Electronically-controlled, four-wheel-drive, full powershift transmission. Twist Grip or EGM™ (Electronic Gear Management) gear Controls for changing driving direction and gears at full power without disengaging the drive.

**Twist Grip Controls** in manual mode on WB140PS-2N/WB150PS-2N  
**EGM™ Gear Controls** in automatic or manual mode on WB150AWS-2N

Travel Speeds	1st		2nd		3rd		4th	
	km/h	mph	km/h	mph	km/h	mph	km/h	mph
Forward	6.5	<b>4.0</b>	12.0	<b>7.5</b>	23.0	<b>14.3</b>	4.0	<b>24.9</b>
Reverse	6.35	<b>4.0</b>	12.0	<b>7.5</b>	23.0	<b>14.3</b>	—	—



**LOADER**

The design of the front loader allows for better tensile strength distribution and parallel movements when lifting and lowering the bucket. Due to the linkage geometry, the greasing points have been dramatically reduced.

- Standard bucket width . . . . . 2355 mm **7'9"**
- Capacity (SAE) . . . . . 0.95 m<sup>3</sup> **1.25yd<sup>3</sup>**
- STD bucket weight . . . . . 454 kg **1,000 lb**
- Lifting capacity at maximum height:
- WB140-2N/WB140PS-2N** . . . . . 3675 daN **8,270 lb**
- WB150-2N/WB150PS-2N/WB150AWS-2N** . . . . . 3965 daN **8,925 lb**
- Lifting capacity at ground level:
- WB140-2N/WB140PS-2N** . . . . . 4700 daN **10,580 lb**
- WB150-2N/WB150PS-2N/WB150AWS-2N** . . . . . 5075 daN **11,420 lb**
- Breakout force:
- WB140-2N/WB140PS-2N** . . . . . 5685 daN **12,790 lb**
- WB150-2N/WB150PS-2N/WB150AWS-2N** . . . . . 6145 daN **13,825 lb**



**BACKHOE**

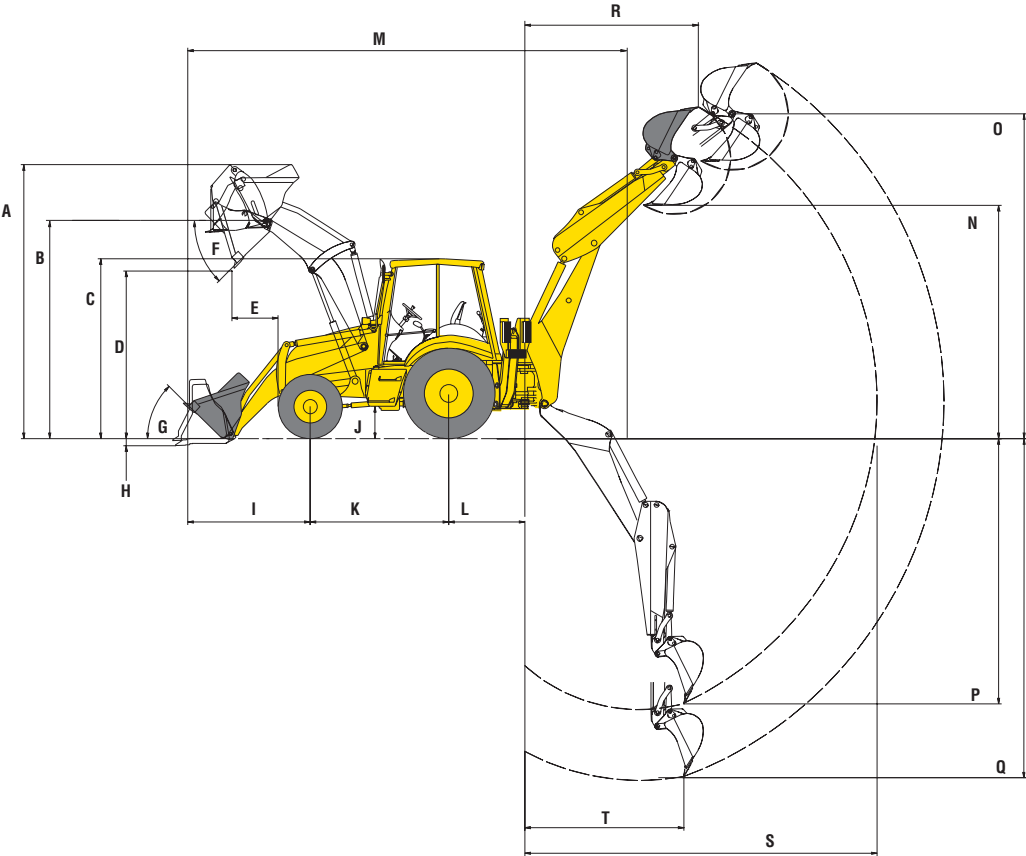
The boom has a rounded profile and a reinforced structure built with cast ends, allowing 180° rotation while maintaining high rotation torque.

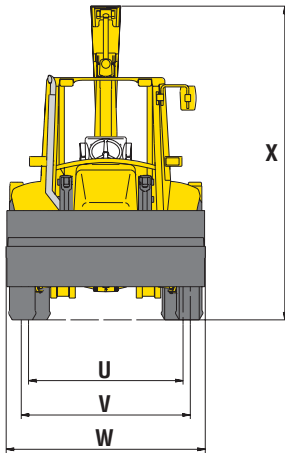
- Bucket breakout force:
- WB140-2N/WB140PS-2N** . . . . . 6005 daN **13,515 lb**
- WB150-2N/WB150PS-2N/WB150AWS-2N** . . . . . 6525 daN **14,685 lb**
- Dipper digging force:
- WB140-2N/WB140PS-2N** . . . . . 3925 daN **8,825 lb**
- WB150-2N/WB150PS-2N/WB150AWS-2N** . . . . . 4155 daN **9,350 lb**

# WB140/150 BACKHOE LOADERS



## DIMENSIONS AND WORKING RANGE





		WB140-2N WB140PS-2N		WB150-2N WB150PS-2N		WB150AWS-2N	
		mm	ft"	mm	ft"	mm	ft"
A	Max. height	4185 mm	<b>13'9"</b>	4185 mm	<b>13'9"</b>	4220 mm	<b>13'10"</b>
B	Hinge pin height	3365 mm	<b>11'0"</b>	3365 mm	<b>11'0"</b>	3400 mm	<b>11'2"</b>
C	Cab height	2750 mm	<b>9'0"</b>	2750 mm	<b>9'0"</b>	2875 mm	<b>9'5"</b>
D	Dumping height	2750 mm	<b>9'0"</b>	2750 mm	<b>9'0"</b>	2730 mm	<b>8'11"</b>
E	Dumping reach	670 mm	<b>2'2"</b>	670 mm	<b>2'2"</b>	610 mm	<b>2'0"</b>
F	Dumping angle	45°		45°		45°	
G	Rollback angle	45°		45°		45°	
H	Digging depth	90 mm	<b>4"</b>	90 mm	<b>4"</b>	100 mm	<b>4"</b>
I	Bucket reach (in transport)	2080 mm	<b>6'10"</b>	2080 mm	<b>6'10"</b>	2150 mm	<b>7'1"</b>
J	Ground clearance	320 mm	<b>1'1"</b>	320 mm	<b>1'1"</b>	430 mm	<b>1'5"</b>
K	Wheel base	2175 mm	<b>7'2"</b>	2175 mm	<b>7'2"</b>	2175 mm	<b>7'2"</b>
L	Backhoe swing center distance	1175 mm	<b>3'10"</b>	1175 mm	<b>3'10"</b>	1175 mm	<b>3'10"</b>
M	Transport length	7310 mm	<b>24'0"</b>	7310 mm	<b>24'0"</b>	7255 mm	<b>23'10"</b>
N	Max. dumping height	3490 mm	<b>11'5"</b>	3710 mm	<b>12'2"</b>	4060 mm	<b>13'4"</b>
	with telescopic arm	4160 mm	<b>13'8"</b>	4160 mm	<b>13'8"</b>	4510 mm	<b>14'10"</b>
O	Max. digging height	4930 mm	<b>16'2"</b>	5155 mm	<b>16'11"</b>	5500 mm	<b>18'1"</b>
	with telescopic arm	5595 mm	<b>18'4"</b>	5595 mm	<b>18'4"</b>	5940 mm	<b>19'6"</b>
P	Digging depth (SAE)	4420 mm	<b>14'6"</b>	4725 mm	<b>15'6"</b>	4490 mm	<b>14'9"</b>
	retracted telescopic arm	4475 mm	<b>14'8"</b>	4475 mm	<b>14'8"</b>	4155 mm	<b>13'8"</b>
	extended telescopic arm	5565 mm	<b>18'3"</b>	5565 mm	<b>18'5"</b>	5270 mm	<b>17'3"</b>
Q	Max digging depth	4445 mm	<b>14'7"</b>	4750 mm	<b>15'7"</b>	4545 mm	<b>14'11"</b>
	retracted telescopic arm	4500 mm	<b>14'9"</b>	4500 mm	<b>14'9"</b>	4210 mm	<b>13'10"</b>
	extended telescopic arm	5590 mm	<b>18'4"</b>	5590 mm	<b>18'4"</b>	5325 mm	<b>17'6"</b>
R	Reach at max. height	2860 mm	<b>9'5"</b>	3100 mm	<b>10'2"</b>	3100 mm	<b>10'2"</b>
	with telescopic arm	3810 mm	<b>12'6"</b>	3810 mm	<b>12'6"</b>	3810 mm	<b>12'6"</b>
S	Max. reach from swing center	5520 mm	<b>18'1"</b>	5715 mm	<b>18'9"</b>	5800 mm	<b>19'0"</b>
	with telescopic arm	6575 mm	<b>21'7"</b>	6575 mm	<b>21'7"</b>	6580 mm	<b>21'7"</b>
T	Digging reach	2750 mm	<b>9'0"</b>	2750 mm	<b>9'0"</b>	2900 mm	<b>9'6"</b>
U	Rear tread	1800 mm	<b>5'11"</b>	1800 mm	<b>5'11"</b>	1950 mm	<b>6'5"</b>
V	Front tread	1890 mm	<b>6'2"</b>	1890 mm	<b>6'2"</b>	1950 mm	<b>6'5"</b>
W	Overall width (with bucket)	2355 mm	<b>7'9"</b>	2355 mm	<b>7'9"</b>	2455 mm	<b>8'1"</b>
X	Backhoe transport height	3550 mm	<b>11'8"</b>	3550 mm	<b>11'8"</b>	3600 mm	<b>11'10"</b>

# WB140/150 BACKHOE LOADERS



## LIFTING CAPACITY

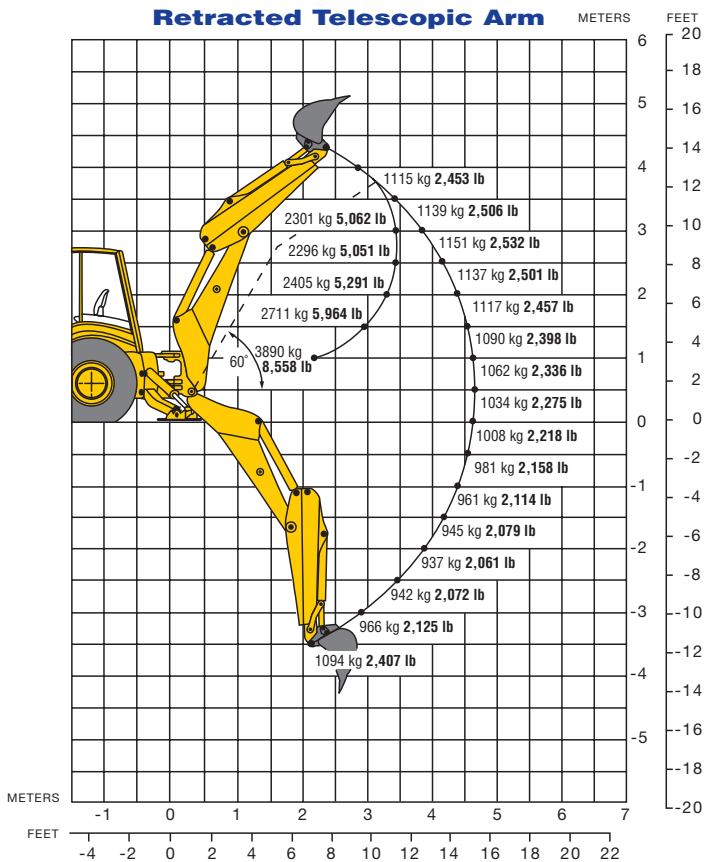
### WB140-2N/WB140PS-2N

**PRESSURE:** 211 kg/cm<sup>2</sup>  
3000 psi

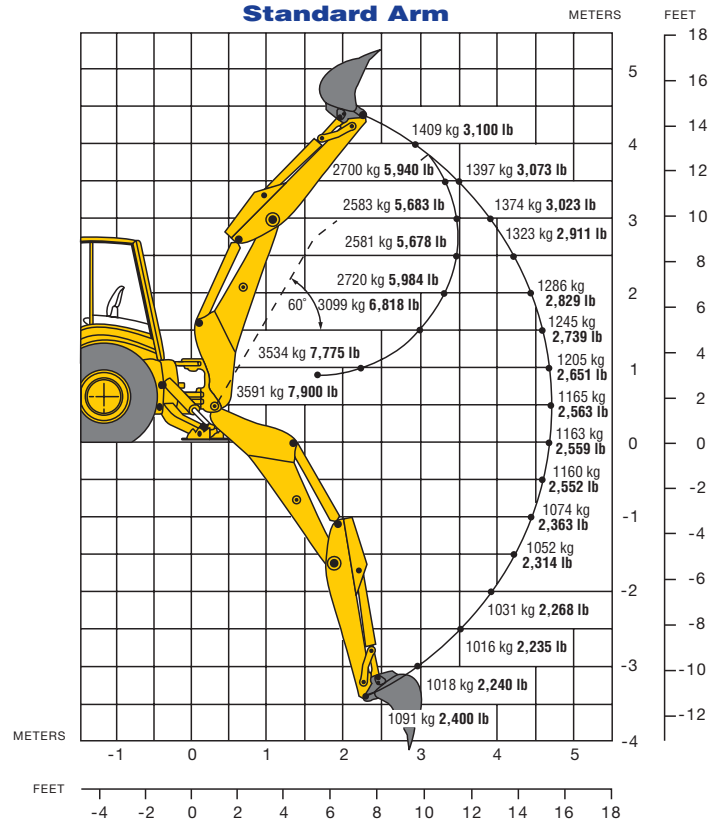
Lift capacity figures comply with SAE J31.

Units are equipped with standard equipment and 610 mm 24" heavy duty backhoe bucket.

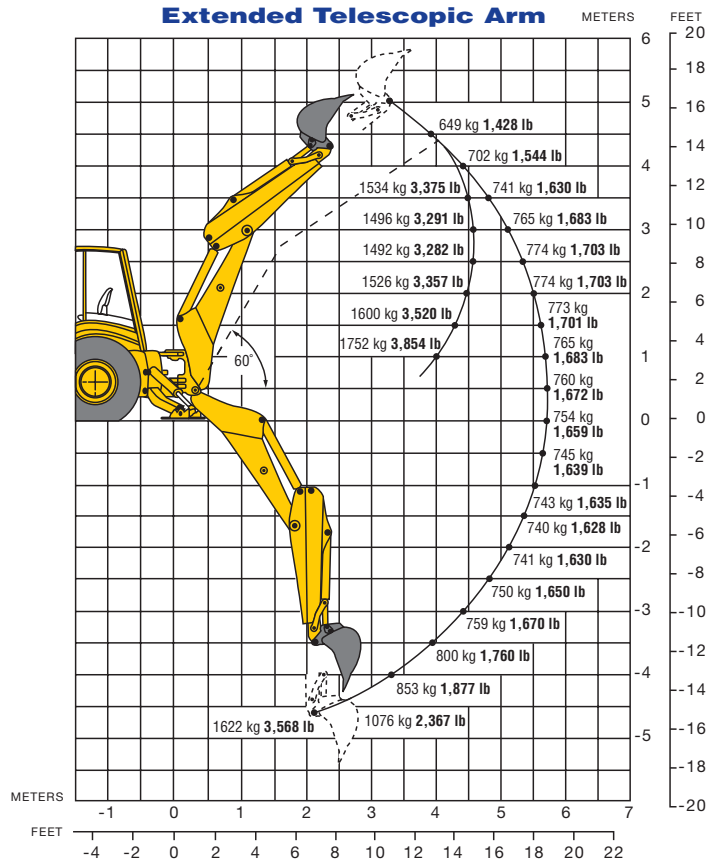
#### Retracted Telescopic Arm



#### Standard Arm



#### Extended Telescopic Arm





**LIFTING CAPACITY**

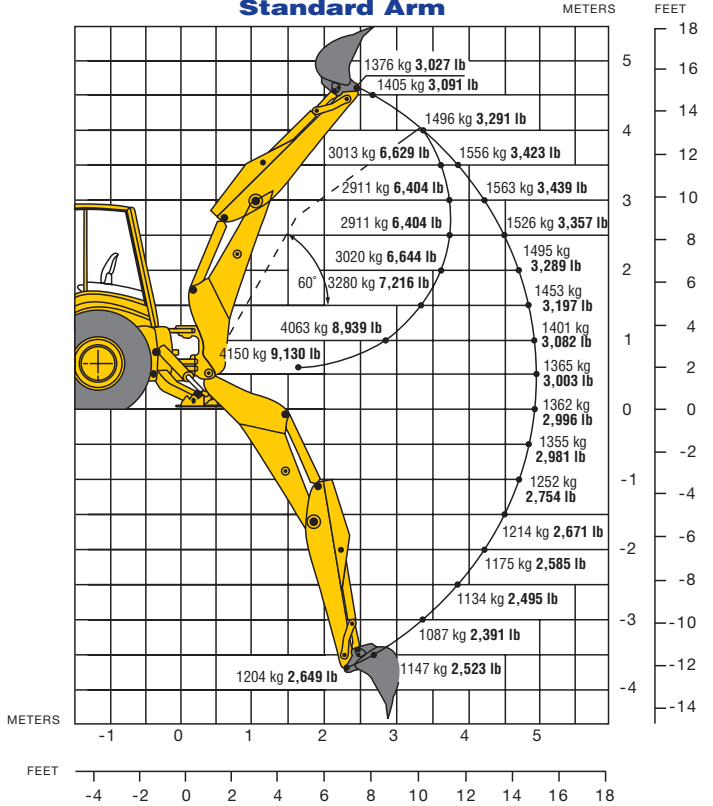
**WB150-2N/WB150PS-2N/WB150AWS-2N**

**PRESSURE:** 225 kg/cm<sup>2</sup>  
3200 psi

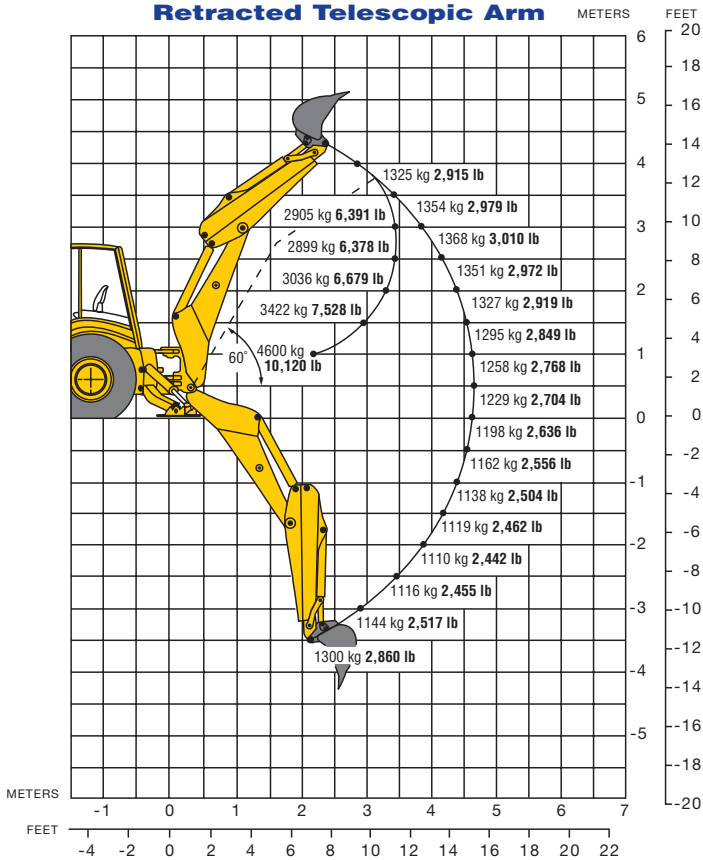
Lift capacity figures comply with SAE J31.

Units are equipped with standard equipment and 610 mm 24" heavy duty backhoe bucket.

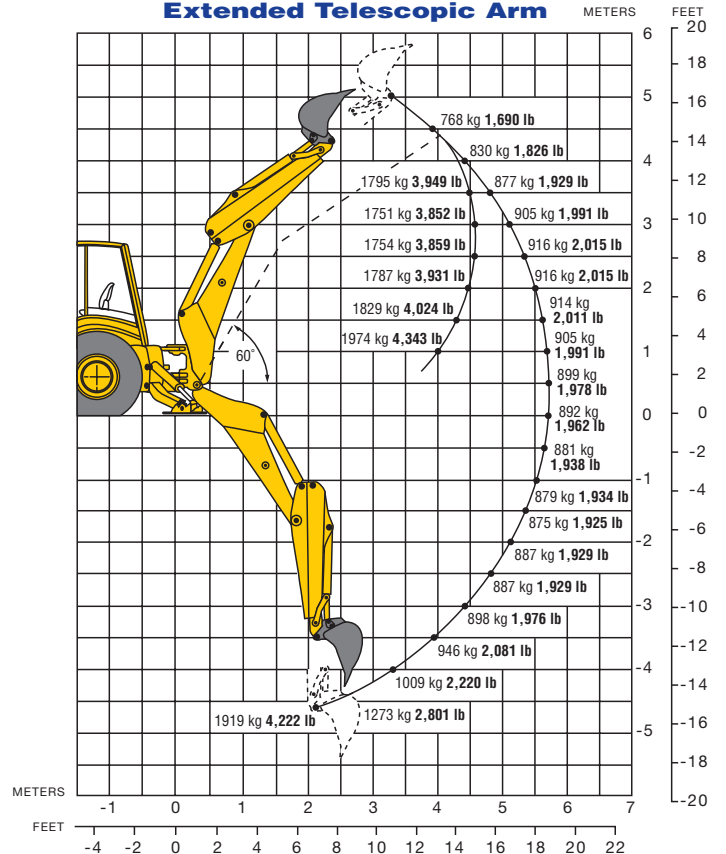
**Standard Arm**



**Retracted Telescopic Arm**



**Extended Telescopic Arm**



# WB140/150 BACKHOE LOADERS



## STANDARD EQUIPMENT

- Alarm, backup
- Anti-burst/anti-drift valves (outriggers)
- Backhoe, center mount, 2 lever control
- Battery disconnect switch
- Boom transport & swing lock
- Brakes, wet-disc with dual pedals and lock (4 wheel braking in 4th gear only)
- Coat hook (cab only)
- Cup holder (only for a cabin without Air-conditioner)
- Differential lock (100% rear axle on demand)
- Drive shaft guard (4-wheel drive only)
- Exhaust in line with ROPS post
- Fan, suction, and fan guard
- Flexible type rear fender
- Gauges: coolant temperature, fuel level, tachometer, hour meter
- Hydraulic oil cooler, side by side
- Indicators: air cleaner service, engine coolant temperature, engine oil pressure, torque converter oil temperature, 4 wheel drive, low fuel, brake oil level, warning direction indicator, parking brake engagement, brake oil level, differential lock, glow plug preheating, generator warning
- ISO control pattern for backhoe
- Key start/stop system with auxiliary position
- Kickdown switch (AWS only)
- Lamp, overhead for instrument panel (Cab only)
- Lift cylinder lock bar
- Lights, working (2 front, 2 rear)
- Loader return-to-dig and float feature
- Mechanical locks, loader control and backhoe control
- Mirror, interior
- Multi-function loader control lever (transmission disconnect, multi-purpose bucket controls, differential lock, loader speed up)
- O-ring face seal hose connections
- Park brake (automatically disengages transmission when activated)
- Powershift transmission (PS series & AWS only)
- Power shuttle transmission
- Power socket, 12V for a mobile phone (cab only)
- ROPS/FOPS Cab with heater (41,000 BTU) and fan
- Seat belt, retractable, 76 mm 3" wide
- Seat, mechanical suspension with armrests
- Spin-on fuel, engine oil, hydraulic transmission oil filters and water separator
- Stabilizer pads, flip over type
- Stop lights and tail lights
- Steering, hydrostatic, load sensing
- Storage compartment, internal
- Throttles, hand and foot
- Tilttable engine hood with steel reinforced front grill
- Transmission disconnect switch on gearshift lever
- Vandalism protection
- Warning horn, front, electric



## OPTIONAL EQUIPMENT

- Air conditioner (32,000 BTU)
- Auxiliary hydraulics for hand hammers
- Backhoe excavator type controls
- Backhoe control pattern conversion kit (field installation)
- Backhoe auxiliary hydraulics for hydraulic hammers or other unidirectional flow work tool (126 l/min **31.7 gpm**)
- Backhoe control pattern (on excavator controls only)
- Cold area (-30°C -22°F) arrangement
- External tool box
- High beam lights (2 front)
- Hydraulic quick coupler, loader (FOB JRB/Pemberton)
- Loader Auxiliary hydraulics, multi-purpose
- Load stabilizer system
- Outrigger cylinder guards
- Pre filter
- Pressure Proportional Control, ISO pattern for backhoe
- Rear view mirrors, exterior
- ROPS/FOPS Canopy
- Windshield, front for canopy with a window washer



## AVAILABLE ATTACHMENTS

- Couplers (Front & Rear)
- Buckets (Range)
- Hydraulic Breakers
- Brooms / Sweeper
- Compaction Plate — Hydraulic
- Compaction Wheels
- Auger Drives

**MAJOR EQUIPMENT CONFIGURATIONS**

	WB140-2N	WB1450PS	WB150	WB150PS	WB150AWS
<b>BACKHOE BUCKETS</b>					
0.76 m <sup>3</sup> <b>0.10 yd<sup>3</sup></b> Bucket, 12"	X	X	X	X	X
0.12 m <sup>3</sup> <b>0.16 yd<sup>3</sup></b> Bucket, 18"	X	X	X	X	X
0.18 m <sup>3</sup> <b>0.24 yd<sup>3</sup></b> Bucket, 24"	STD	STD	STD	STD	STD
0.24 m <sup>3</sup> <b>0.31 yd<sup>3</sup></b> Bucket, 30"	X	X	X	X	X
0.29 m <sup>3</sup> <b>0.38 yd<sup>3</sup></b> Bucket, 36"	X	X	X	X	X
<b>LOADER BUCKETS</b>					
0.96 m <sup>3</sup> <b>1.25 yd<sup>3</sup></b> GP Bucket w/Bolt-on Cutting Edge	STD	STD	STD	STD	-
1.15 m <sup>3</sup> <b>1.50 yd<sup>3</sup></b> GP Bucket w/Bolt-on Cutting Edge	-	-	X	X	STD
1.00 m <sup>3</sup> <b>1.30 yd<sup>3</sup></b> Multi-Purpose Bucket w/Bolt-on Cutting Edge with Aux. Hydraulics	X	X	X	X	-
1.00 m <sup>3</sup> <b>1.30 yd<sup>3</sup></b> Multi-Purpose Bucket w/Bolt-on Cutting Edge	X	X	X	X	-
1.04 m <sup>3</sup> <b>1.36 yd<sup>3</sup></b> Multi-Purpose Bucket w/Bolt-on Cutting Edge with Aux. Hydraulics	-	-	-	-	X
<b>RUBBER TIRES</b>					
11L - 16 (10 PR) Front Tires (2WD)	In Base	-	-	-	-
14L - 17.5 (10 PR) Front Tires (4WD)	In Base	In Base	In Base	In Base	-
19.5L - 24 (10 PR) Rear Tires	In Base	In Base	In Base	In Base	-
16.9L - 24 (12 PR) Front & Rear Tires	-	-	-	-	In Base
16.9L - 28 (12 PR) Front & Rear Tires	-	-	-	-	X
16.9L - R28 Radial Front & Rear Tires, Michelin XM27	-	-	-	-	X
<b>FRONT COUNTERWEIGHT</b>					
Counterweight, 39 Kg <b>87 lb</b>	In Base	In Base	-	-	-
Counterweight, 150 Kg <b>330 lb</b> - Mounts Underneath 39 Kg <b>87 lb</b> Cover	X	X	-	-	-
Counterweight, 300 Kg <b>660 lb</b> - Replaces 39 Kg <b>87 lb</b> Cover	X	X	In Base	In Base	In Base
Counterweight, 170 Kg <b>375 lb</b> - Mounts In Front of 300 Kg <b>660 lb</b> Counterweight	X	X	X	X	X

# Utility Product Line

Crawler Carriers



Dozers



Excavators



Backhoe Loaders



Wheel Loaders



Skid Steer Loaders



This specification sheet may contain attachments and optional equipment that are not available in your area. Please contact your local Komatsu Utility Division distributor for those items you may require. Materials and specifications are subject to change without notice.

KUSS149-03

©2004 Komatsu Printed in USA

DK12(20M) C

12/04 (EV-1)

## KOMATSU®

440 N. Fairway Drive  
P.O. Box 8112  
Vernon Hills, IL 60061



[www.Komatsuutility.com](http://www.Komatsuutility.com)

KOMATSU® is a trademark of Komatsu Ltd. Japan